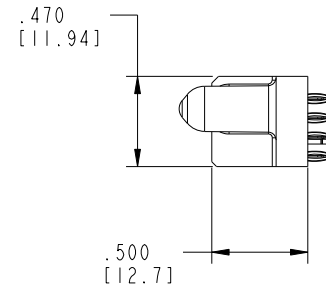
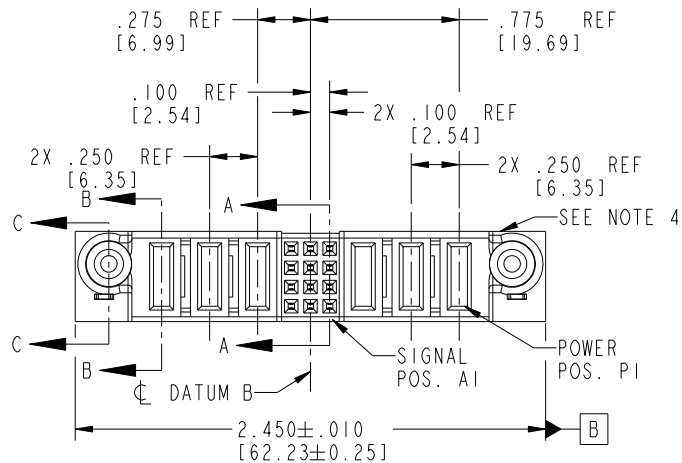


Tous droits strictement réservés. Reproduction ou communication a des tiers interdite sous quelque forme que ce soit sans autorisation écrite du propriétaire. Propriété de c FCI. Droits de reproduction FCI.



All rights strictly reserved. Reproduction or issue to third parties in any form whatever is not permitted without written authority from the proprietor. Property of FCI. Copyright FCI.

PRODUCT NO.	ROWS	POWER			SIG.			POWER			E1	
		E2	P6	P5	P4	3	2	1	P3	P2		P1
51750-048-- NOTE: 3	D C B A											



CODE	DIM "M"	MATING LENGTH	CONTACT TYPE
F	N/A	[N/A]	SIGNAL
PC	.042	[1.07]	POWER
PF	.092	[2.34]	POWER
HA	N/A	[N/A]	HOLD-DOWN

mat'l code				SEE NOTE 2		tolerances unless otherwise specified		CUSTOMER		 www.fciconnect.com	
lir	ecn no.	dr	date	linear	.XX±.01/0.X±0.3	projection		COPY		title	
A	V03-0511	TAB	05/07/03		.XXX±.005/0.XX±0.13			3P + 12S + 3P		VERTICAL PRESS-FIT RECEPT	
B	DG05-0504	GuoJM	11/29/05	angles	.XXX±.0020/0.XXX±0.051			product family		code	
C	DG08-0251	W D	09/13/08	dr	0°±2°	INCH/MM		PwrBlade		213	
				engr	T. BRUNGARD 05/07/03	scale		size		sheet	
				chr	M. MOSTOLLER 05/07/03	1:1		A		1 of 4	
				appd	M. MOSTOLLER 05/07/03			51750-048			
sheet index	revision sheet	C	C	C	C						
		1	2	3	4						

1 | 2

Pro/E

PDM: Rev: C

STAT: Released

Printed: Sep 20, 2008

A

A

B

B

1 | 2

3 |

4

cage code 22536

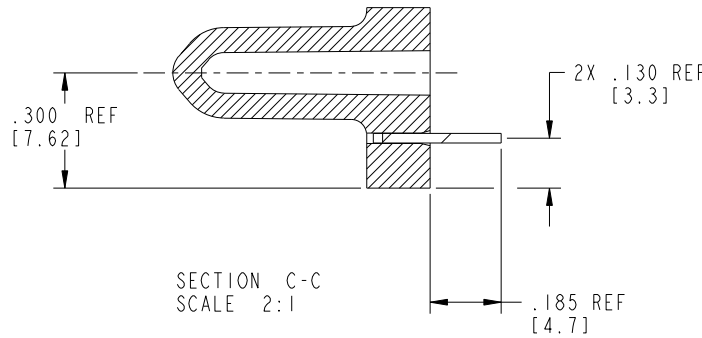
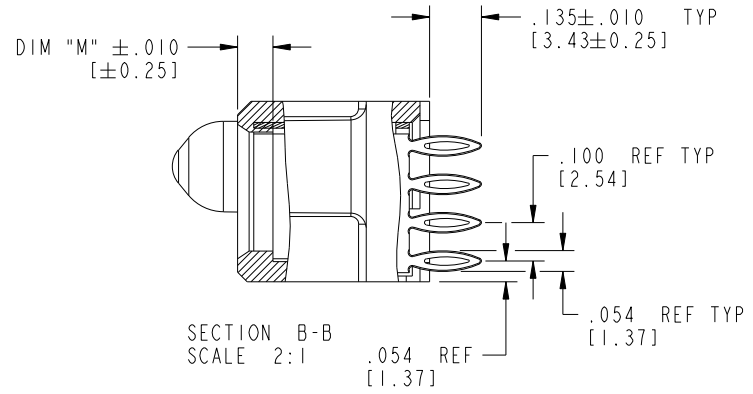
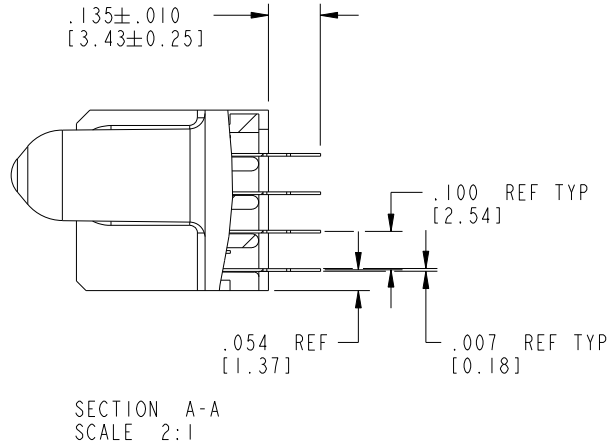
4

Tous droits strictement réservés. Reproduction ou communication a des tiers interdite sous quelque forme que ce soit sans autorisation écrite du propriétaire. Propriete de c FCI. Droits de reproduction FCI.

All rights strictly reserved. Reproduction or issue to third parties in any form whatever is not permitted without written authority from the proprietor. Property of FCI. Copyright FCI.



PRODUCT NUMBER
51750-048__
NOTE: 3



mat'l code		SEE NOTE 2		tolerances unless otherwise specified		CUSTOMER		FCI	
lfr	ecn no.	dr	date	linear	.XX±.01/0.X±0.3	projection	www.fciconnect.com		
C				angles	.XXY±.005/0.XX±0.13	INCH/MM	title 3P + 12S + 3P		
				dr	.XXX±.0020/0.XXX±0.051	scale	VERTICAL PRESS-FIT RECEPT		
				enrg	0°±2°	1:1	product family PwrBlade		code
				chr	T. BRUNGARD 05/07/03		size	dwg no	213
				appd	M. MOSTOLLER 05/07/03		A 51750-048		sheet
					M. MOSTOLLER 05/07/03				2 of 4
sheet index	revision sheet								

Pro/E

PDM: Rev: C

STATUS: Released

Printed: Sep 20, 2008

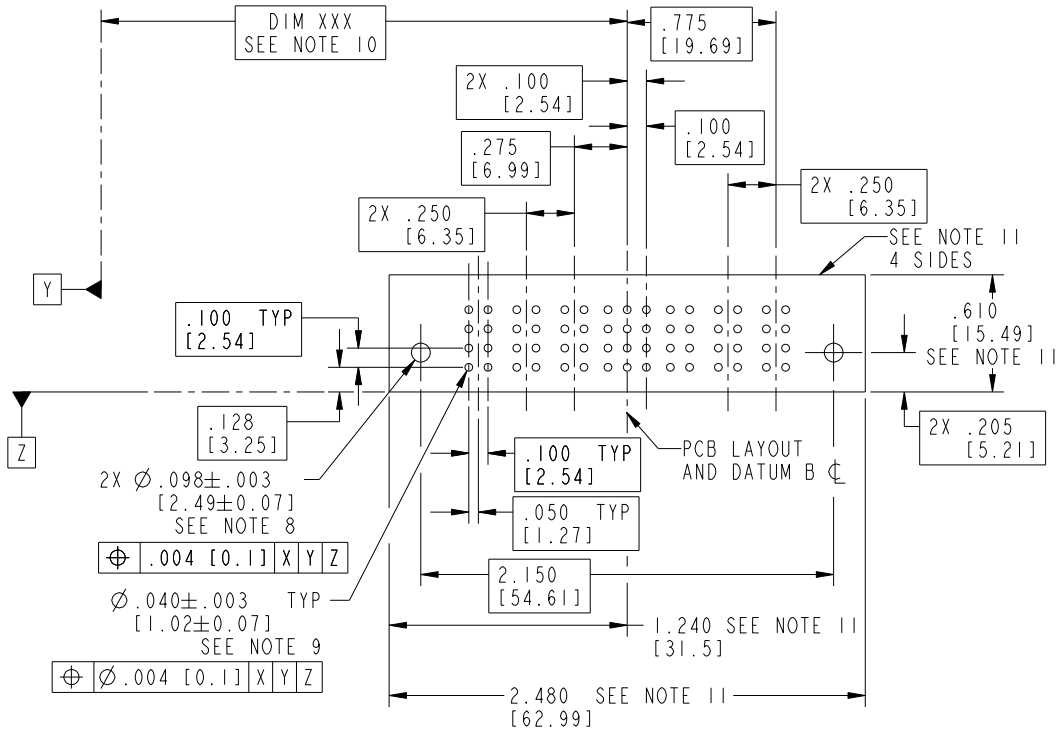
cage code 28556

Tous droits strictement réservés. Reproduction ou communication a des tiers interdite sous quelque forme que ce soit sans autorisation écrite du propriétaire. Propriété de c FCI. Droits de reproduction FCI.



All rights strictly reserved. Reproduction or issue to third parties in any form whatever is not permitted without written authority from the proprietor. Property of FCI. Copyright FCI.

PRODUCT NUMBER
51750-048__
NOTE: 3



RECOMMENDED PCB LAYOUT

mat'l code		SEE NOTE 2		tolerances unless otherwise specified		CUSTOMER		FCI	
lfr	ecn no.	dr	date	linear	.XX±.01/0.X±0.3	COPY		www.fciconnect.com	
C				angles	.XXX±.005/0.XX±0.13 .XXX±.0020/0.XXX±0.051	projection		title 3P + 12S + 3P	
				dr	0°±2°	INCH/MM		VERTICAL PRESS-FIT RECEPT	
				enr	T. BRUNGARD 05/07/03	scale		product family PwrBlade code	
				chr	M. MOSTOLLER 05/07/03	1:1		size dwg no 213	
				appd	M. MOSTOLLER 05/07/03			sheet 3 of 4	
sheet index	revision sheet							A 51750-048	

cage code 28516

Pro/E

PDM: Rev: C

STATUS: Released

Printed: Sep 20, 2008



PRODUCT NUMBER
51750-048__
NOTE: 3

NOTES:

1. DIMENSIONS AND TOLERANCES ARE IN ACCORDANCE WITH ASME Y14.5M, 1994 UNLESS OTHERWISE SPECIFIED.

CONNECTOR NOTES:

② HOUSING MATERIAL: UL 94 V-0 GLASS FILLED HIGH-TEMP THERMOPLASTIC
POWER CONTACT MATERIAL: COPPER ALLOY
SIGNAL PIN MATERIAL: COPPER ALLOY

△ 3. SEE ITEM 7 & 8 IN PRINT 10064183 FOR PLATING SPEC OF 51750-048 AND 51750-048LF RESPECTIVELY.

④ MANUFACTURER'S NAME, P/N, AND DATE CODE TO APPEAR ON THIS SURFACE.

5. PRODUCT SPECIFICATION GS-12-149.
APPLICATION SPECIFICATION BUS-20-067.

6. PACKAGED IN TRAYS.

PCB NOTES:

7. ALL HOLE DIAMETERS ARE FINISHED HOLE SIZE.

⑧ MOUNTING HOLES, WHERE APPLICABLE, ARE UNPLATED.

⑨ $\varnothing .0453 \pm .0010$ [1.151 ± 0.025] DRILLED HOLES PLATED WITH
.0003 [0.008] MIN SnPb OVER .001 [0.03]
TO .003 [0.08] Cu PLATING TO ACHIEVE
 $\varnothing .040 \pm .003$ [1.02 ± .07] HOLE.

⑩ "DIM XXX" TO BE DETERMINED BY THE CUSTOMER.

⑪ CONNECTOR KEEP-OUT ZONE.

12. A △ SYMBOL WILL BE NEXT TO ANY DIMENSION, VIEW, OR NOTE WHICH HAS BEEN MODIFIED WITH THE CURRENT DRAWING REVISION.

mat'l code				SEE NOTE 2		tolerances unless otherwise specified		CUSTOMER		 www.fciconnect.com	
lfr	ecn no.	dr	date	linear	.XX±.01/0.X±0.3		COPY		title 3P + 12S + 3P VERTICAL PRESS-FIT RECEPT product family PwrBlade code 213 size dwg no 51750-048 sheet 4 of 4		
C					.XXX±.005/0.XX±0.13		projection				
				angles	.XXXX±.0020/0.XXX±0.051		 INCH/MM		scale 1:1		
					0° ± 2°						
				dr	T. BRUNGARD	05/07/03			A 51750-048		
				engr	M. MOSTOLLER	05/07/03					
				chr	M. MOSTOLLER	05/07/03					
				appd	M. MOSTOLLER	05/07/03					
sheet index		revision sheet									